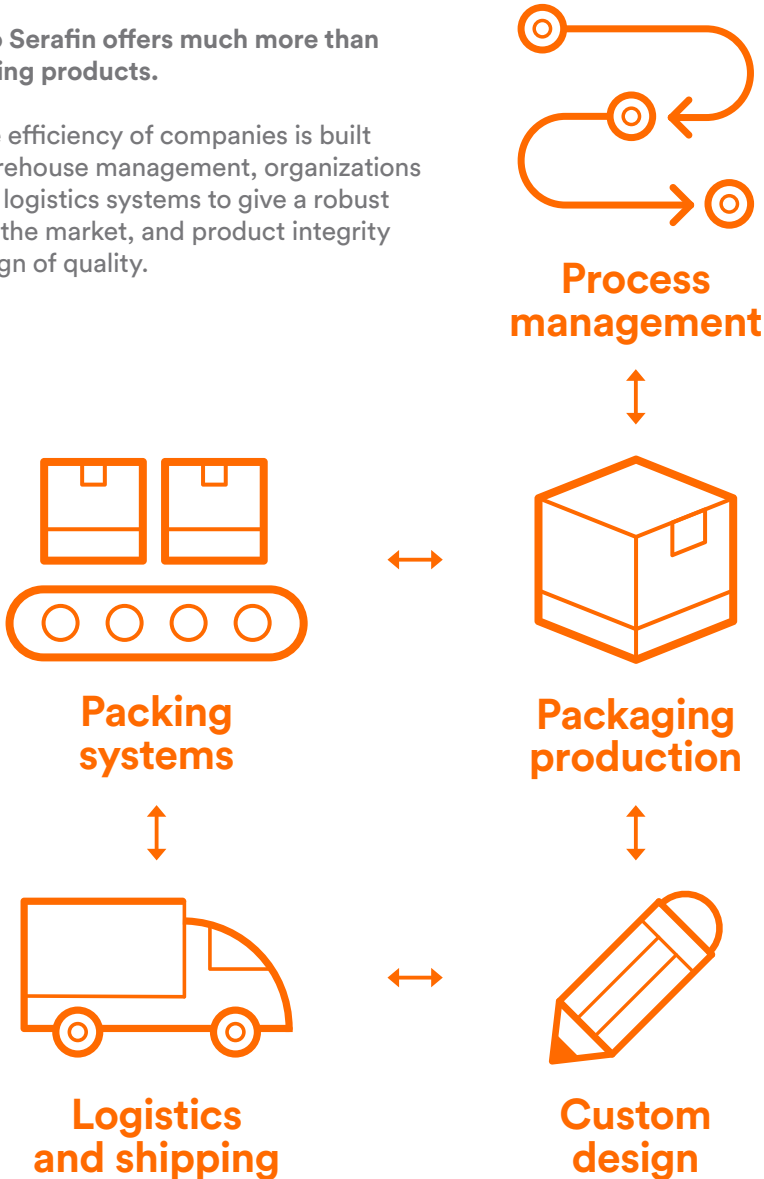


# More than packaging

The Gruppo Serafin offers much more than just packaging products.

After all, the efficiency of companies is built on good warehouse management, organizations rely on their logistics systems to give a robust response to the market, and product integrity is the first sign of quality.



## Company Profile

Since the creation of his first company, Franco Serafin has always imagined he would be able to satisfy the packaging, protection and logistics requests of any type of customer. Over 20 years later, the **Gruppo Serafin** is now a leading company in Italy in the industrial packaging sector.

# The combined strenght of four specialist industrial packaging and packing companies.

Each Group company has specialised in a different branch of the sector by developing specific skills.

- **Green Pack** is dedicated to the development of eco-compatible cardboard packaging.
- **SF Packaging** is specialised in researching and developing the best packaging solutions.
- **Staticontrol** is focused on packaging for the electronic market.
- **Sitema** deals with systems and logistical engineering.

## Process management

The Gruppo Serafin aims to establish solid, long-lasting direct relationships with its customers by devoting the utmost attention to their needs, analysis of critical issues and the solutions required. This all results in the company's quest for efficiency in the different stages of the packaging process, its rationalization of production procedures and its optimization of the resources available.

## Packing systems

The Gruppo Serafin designs and makes packaging machinery and automatic packing systems to optimize packaging, handling and storage. It provides also a range of after-sales services for its customers, such as training for the staff that will use the machinery/systems, remote assistance and prompt on-site support with specialist technicians.

## Packaging production

The Gruppo Serafin provides the best packaging products on the market with more than 8,000 standard, delivery-ready items to meet all professional packaging needs. It supplies innovative, efficiency-oriented and made-to-measure packaging products. The outstanding protection and high impact resistance of the packaging solutions ensure that the contents remain intact.

## Logistics and shipping

In accordance with the principles of lean production, the warehouse is considered to have a strategic role in the success of a company. Our approach involves: meticulously analysing the customer's technical and logistic requirements, engineering the production process, installing the equipment and implementing the management software.

## Custom design

The Gruppo Serafin flexible team can design and produce customized packaging solutions to suit its customers' specific needs. Advice, innovation and a focus on customer needs are the distinctive features of our 360-degree approach.

# Gruppo Serafin



# The Green Style philosophy

**Ecological awareness** is one of the central themes of Green Style's philosophy that professes the **renewal of the earth's resources** with the help of the **sustainable development of companies** and of the entire global economy. All this is possible thanks to the **on-going research into environmentally-friendly and eco-sustainable production** carried out by the Gruppo Serafin professionals and to the consequent elaboration of new, modern products that meet the requests of the market.

## This is the Gruppo Serafin's way of interpreting the present and the future of packaging.

In fact, each part of the cardboard packaging produced following Green Style's philosophy is **100% recyclable**. This results in **optimised management** and **disposal costs** that are decidedly lower than those produced using plastic, iron or wooden packaging and have a remarkably **lower impact** on our planet.



## 100% recycled material

Thanks to the on-going research into environmentally-friendly and eco-sustainable production, our packaging solutions are made of recyclable paper and cardboard.

---



## A regeneration system

We have developed a sustainable system production which allows our material to be reused, providing benefits both for the customers and the environment.

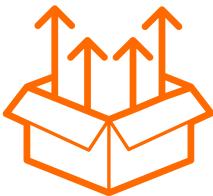
---



## Reduced disposal costs

Management and disposal costs are decidedly lower than those produced using plastic, iron or wooden packaging and have a remarkably lower impact on our planet.

---



## No polluting emissions

Our products are made with green and eco-friendly material which doesn't release particulates or other polluting emissions.

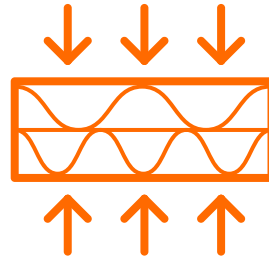
# Discover our solutions

**Green Pack** designs and produces corrugated cardboard protectors and packaging made of **100% recyclable materials**. Thanks to its non-stop investments in **research** and **innovation**, it's constantly evolving and able to respond proactively to the growing demand for **environmentally friendly packaging solutions**.

The outstanding protection and high impact resistance of **Green Pack** packaging ensures a performance level on a par with metal, plastic and wooden packaging.

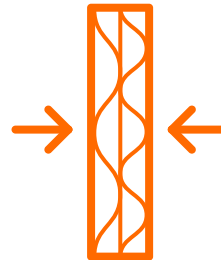
## Outstanding protection and resistance

Our cardboard solutions are more resistant to impact and high pressures than wood, iron, polystyrene and other plastic materials.



## It's light and optimizes logistic spaces

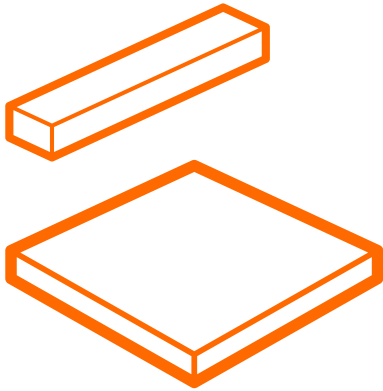
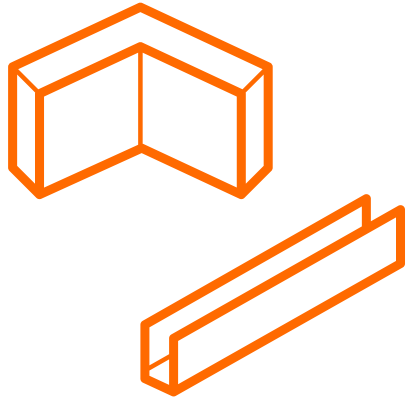
Our cardboard solutions take up as little space as possible, supporting an efficient management of your warehouse stock.



# They may adapt different forms

## Protectors

Corner and L or C shaped profiles can fit onto edges and corners of your products inside boxes, offering **better protection from bumps and falls**.



## Fillers

Our die-cut cardboard strips, shapes and dividers **increase the stability** and **separate your products** on pallets or inside boxes.

## We can tailor new solutions to suit your needs

It's possible to **customize the dimensions, the type of cardboard and the prints that appear on them**, so they can also be used as cost-effective, efficient communication tools.

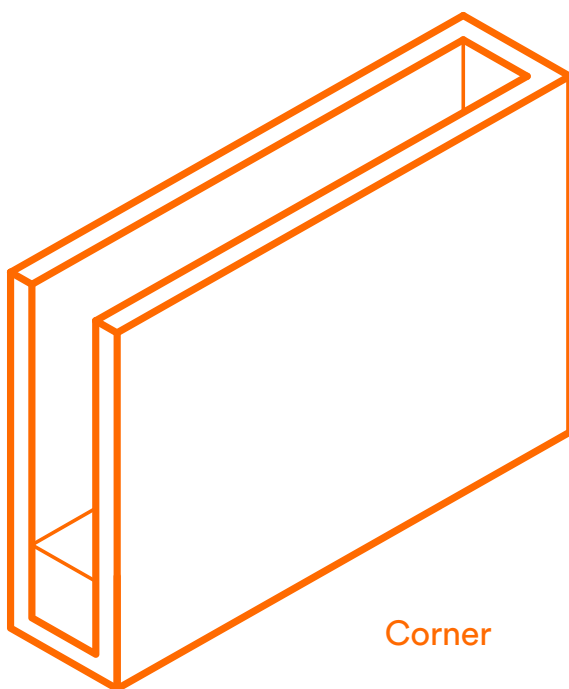
# Green Pack





# Greenpy Wood

New!



Corner

## FAMILY

PROTECTORS – UNIKO GPW  
CORNER

## DESCRIPTION

Edge protector stiffened on one side with a wooden fibre strip.

## FEATURES

100% recyclable;  
resistance to pressures (>100 kN).

## MATERIALS

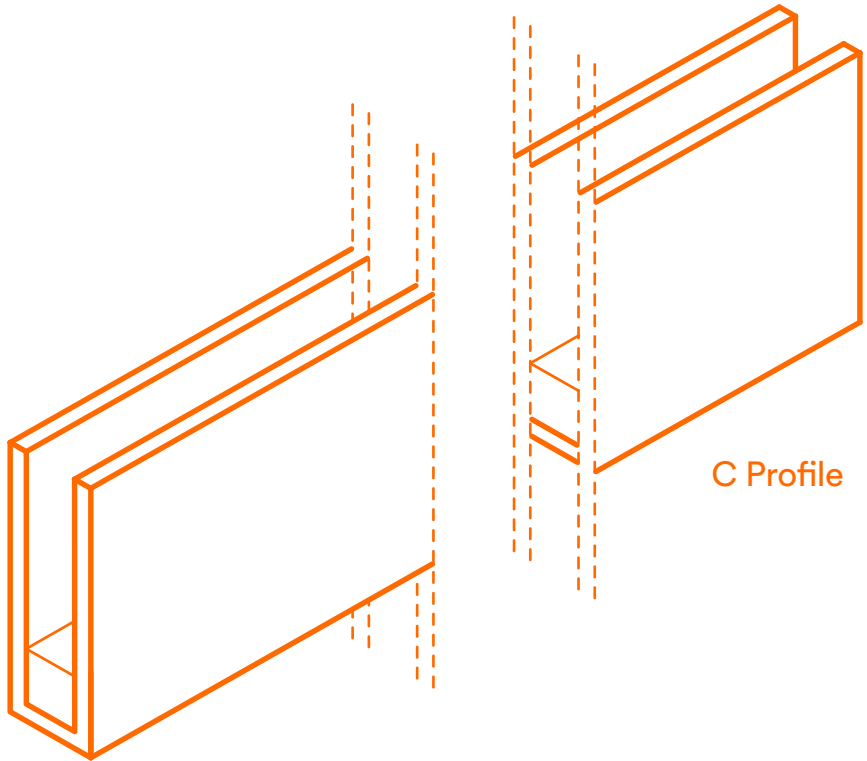
### Profile

100% recycled paper cardboard  
from selected raw materials.

### Stiffener

Wooden Fibre → produced  
from raw materials according  
to the regulation  
PN-EN 622-1 – 622-4;  
PN-EN 13986.

Corner and border protectors suitable to protect doors, shelves, side panels and panels. The interior wooden fibre stiffener applied to one side guarantees greater impact resistance and protection if the product should fall. Made with 100% recycled paper cardboard and wooden fibre from selected and FSC certificated raw materials, they are completely recyclable and environmentally friendly and can withstand pressure of up to 100 kN.



**FAMILY**  
PROTECTORS – UNIKO GPW  
C PROFILE

**DESCRIZIONE**  
Edge protector stiffened with  
a wooden fibre strip.

**FEATURES**  
100% recyclable;  
resistance to pressures (>100 kN).

**MATERIALS**  
**Profile**  
100% recycled paper cardboard  
from selected raw materials.

**Stiffener**  
Wooden Fibre → produced  
from raw materials according  
to the regulation  
PN-EN 622-1 – 622-4;  
PN-EN 13986.

# Cardboard fillers specification

## Greenpy® (GPY)

Multilayer filler  
in corrugated cardboard

### STANDARD

Thickness 4/6 → 28 mm  
Width 18 → 130 mm  
Length 50 → 2400 mm

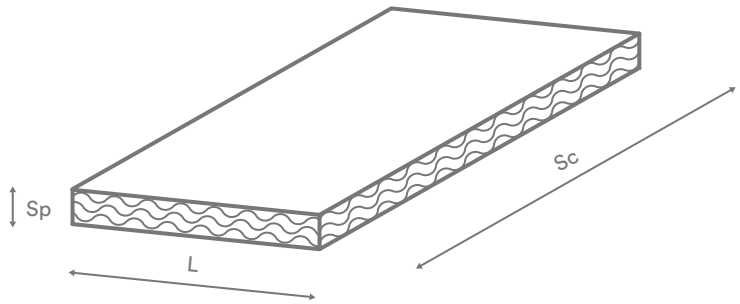
### DIMENSION

$Sp \times Sc \times L$

$Sp$  = thickness

$Sc$  = wave direction

$L$  = third dimension



## Greenpy Top® (GPT)

Honey Comb Filler

### STANDARD

Thickness 10 → 90 mm  
Width 40 → 800 mm  
Length 50 → 2400 mm

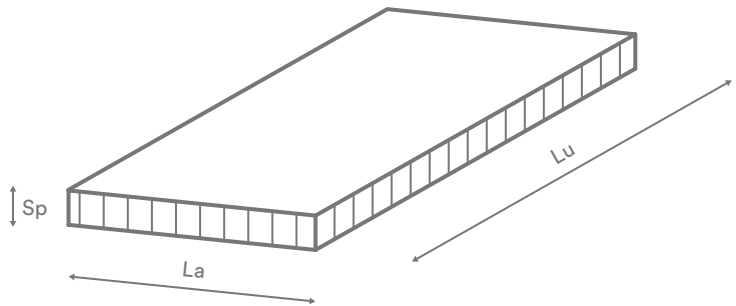
### DIMENSION

$Sp \times La \times Lu$

$Sp$  = thickness

$La$  = width

$Lu$  = length



## U Profile

Glued cardboard sheet

### STANDARD

Thickness → 7 mm

Width 100 → 600 mm (outspread)

Lenght 300 → 2400 mm

### DIMENSION

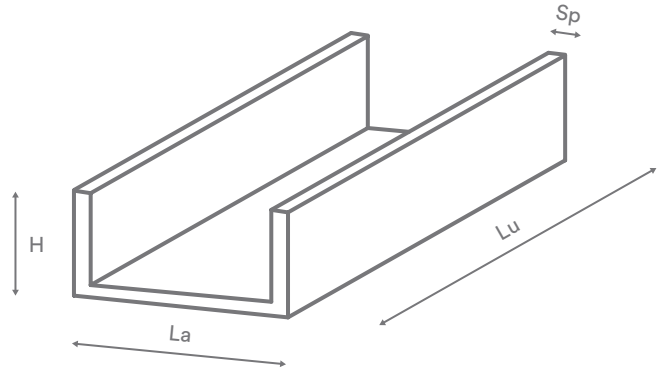
**H x La x Lu**

H = height

La = width

Lu = length

Sp = cardboard thickness



## Folding (FLD)

Multilayer filler,  
with folded up extremities

### STANDARD

Thickness → 12-16-18-24 mm

Width 100 → 600 mm (outspread)

Lenght 300 → 2400 mm

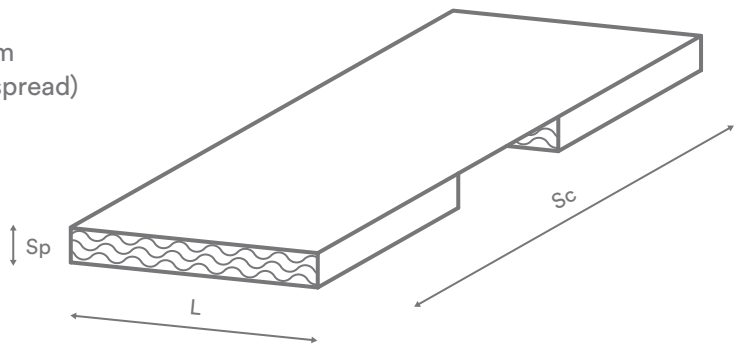
### DIMENSION

**Sp x Sc x L**

Sp = thickness

Sc = wave direction

L = third dimension



# Edge Board

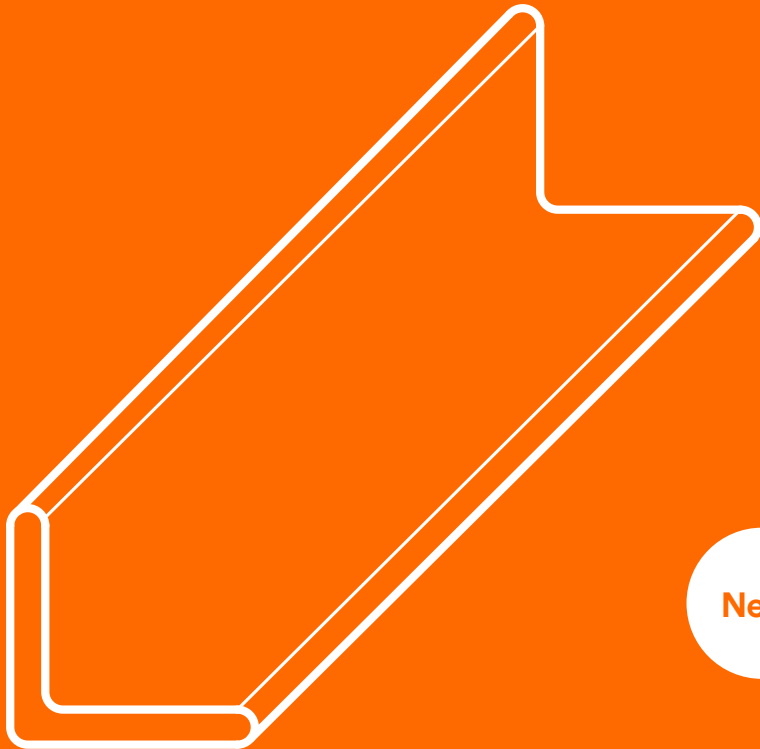
Pressed cardboard L-shaped profile composed of sheets of kraft-type paper and regenerated cardboard joined by an adhesive. Suitable to protect the edges of palletized products, they are the ideal solution for transportation and stacking, offering an excellent resistance, higher vertical protection and pallet stabilization.

**FAMILY**  
EDGE BOARD – L PROFILE

**DESCRIPTION**  
Pressed cardboard protector.

**FEATURES**  
100% recyclable.

**MATERIALS**  
**Profile**  
Sheets of kraft-type paper and regenerated cardboard joined by an adhesive.



**New!**

# Load Bearer

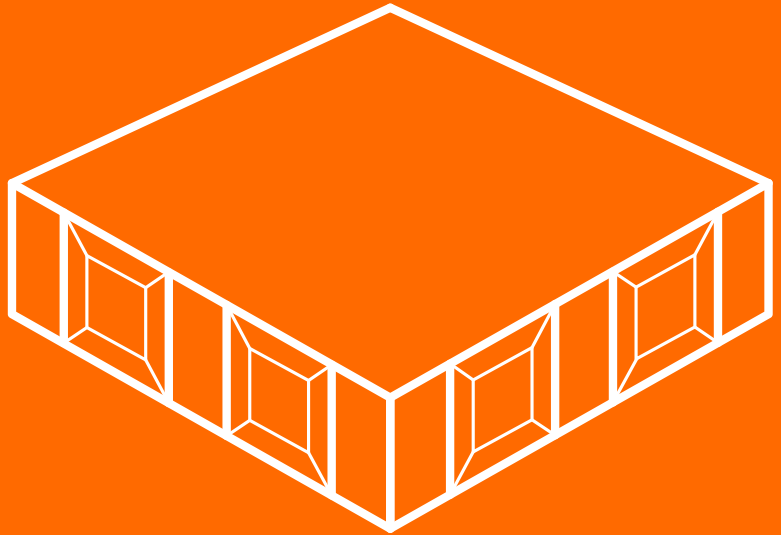
**FAMILY**  
LOAD BEARER (LB)

**DESCRIPTION**  
Panel support.

**FEATURES**  
100% recyclable;  
resistance to pressures;  
resistance to deflection;  
resistance to humidity.

**MATERIALS**  
**Panel**  
100% recycled paper cardboard  
from selected raw materials.

**New!**



The panel's core is composed of honeycomb made with 100% recycled paper cardboard from selected raw materials. It can be used as the main component for paper pallet production. It's completely recyclable and environmentally friendly and offers a higher resistance to pressures, deflection and humidity.

**Services, ideas, solutions  
and customized designs  
to protect products  
and offer efficiency  
and rationalization for  
every single stage in the  
packing and packaging  
process.**



## To offer solutions that give valuable results

This is a goal we have reached by creating a set of **specific services to satisfy your requirements**, so that we can be certain that the **greatest possible profit** will be obtained **from your investment** by **improving our efficiency** and obtaining, at last, the real possibility of **saving time and money**.

- Designing and customising new packaging ideas.
- A customer care service able to provide quick and efficient technical advice.
- The possibility of planning orders for the perfect management of purchases and of logistic activities.
- A transport service with our own vehicles capable of offering quick delivery in 48 hours for standard products on stock.
- More than 8,000 standard items are available on stock for spot deliveries.



**Green Pack S.R.L.**

Via Fabrizio Plinio, 23

31046 – Oderzo (TV)

T +39 0422 741610

F +39 0422 801772

E [info@greenpacksrl.it](mailto:info@greenpacksrl.it)

P.I./C.F. 03597430267

[www.greenpacksrl.it](http://www.greenpacksrl.it)

**Gruppo Serafin**

Via Venezia, 5

31046 – Oderzo (TV)

T +39 0422 814366

F +39 0422 814466

E [info@grupposerafin.it](mailto:info@grupposerafin.it)

–

[www.grupposerafin.it](http://www.grupposerafin.it)